

# SICO® Pacer Tables

Turn rooms quickly with SICO tables, saving time and money.



## Features, Advantages & Benefits

### SICO® ARMOR-EDGE®

- The most durable edge available.
- Provides an incredibly tough edge to take hard everyday abuse without damage.
- Hermetically seals the tabletop and bench edges for sanitary purposes.
- Allows for easy clean-up, including steam cleaning.
- Proven track record for long-term durability.

### High-pressure Laminate

- Tough .04" (.10cm) thickness high-pressure laminate for added durability and long-term wear.
- Sanitary and easy-to-clean.
- A large variety of striking colors and patterns are available to fit any color scheme.

### Solid MDF Core

- Laminate tops are made with extremely durable ¾" MDF core material that is stronger than plywood or particleboard and resists warping.
- MDF core out-performs plywood or particleboard, is lightweight and resists warping.

### Rigid Vinyl Backer Sheet

- Applied to the underside of the tabletops for moisture control and easy cleanup (including gum removal), stain resistance and fantastic appearance.
- Far superior to all types of paper backers.

**Tamper Proof Expansion Rivets** – Fastens tabletop firmly to the frame and will not work loose like ordinary screws.

**Aircraft Lock-nuts** – Superior construction lock-nuts are used at all pivot points. Nuts are tamper resistant and won't loosen over time for increased safety.

**Innovative Lock Bar** - ½" (1.3cm) center gravity lock bar prevents anyone from raising center of table by sitting on the table end. Releasing the lock allows for a gentle opening from either side of the table.

### Triple 7 Gauge Sandwich Hinges –

Two plates surround one plate from opposite sides of hinge frame for extreme strength, and long-lasting durability to prolong the life of table. Self-cleaning hinges are sanitary and won't trap food.

**Recessed Legs** - Located further under the table so knees don't interfere with table legs. Permits comfortable seating in all positions.

**Square Tube and Horizontal Support Frame** - Legs give extra strength and durability. One-inch (25mm) 16-gauge steel square tube legs are 63% stronger than one-inch round 16-gauge.

**Steel Center Support** - 14-gauge square steel center support gives greater strength while preventing damage to tops at center.

**Nickel Chrome Plated or Powder-coat Finished Legs** - Finished for durability, appearance, and ease of cleaning.

**Reinforced Nylon Glides** - Prevents floor damage.

**Swivel Casters** – Tables roll quietly on 3" (10cm) casters. One person can easily roll and maneuver tables smoothly into service or storage. No need for table caddies. Non-marring casters protect the floor. Rugged casters keep table in place.

**Castors Off The Floor** - Table edges never touch the floor. Casters are off the floor in open position, and table rests on its sturdy legs. The casters engage only in the folded position. Won't become rough and snag your linens.

**Storage** - Tables nest together requiring minimum of storage space. Needs no caddy. No lifting. One person can easily roll this pacer table into service or storage.

**Warranty** – Protected by a **15-Year Warranty** against manufacturer's defects. **Lifetime Warranty** on welds.

## Specifications

Top Dimensions & Seating Capacity	Available Top Heights	Weight	Storage Dimensions single unit L" x W"	Model No.
<b>Hexagon Pacer Tables</b>				
48" (122cm) Seats 6	27"(69cm), 29" (74cm)	95 lbs / 43kg	48"Lx17-1/2"W (122cm x 44cm)	EP475-120N
<b>Round Pacer Tables</b>				
48" (122 cm) Seats 4-6	27"(69cm), 29" (74cm)	95 lbs / 43kg	48"Lx17-1/2"W (122cm x 44cm)	EP075-120N
60" (152cm) Seats 8-10	27"(69cm), 29" (74cm), 32" (81cm): ADA	115 lbs / 52kg	60"Lx17-1/2"W (152cm x 44cm)	EP075-150N
66" (168cm) Seats 8-10	29" (74cm)	132 lbs / 60kg	66"x17-1/2"W (168cm x 44cm)	EP075-165N
72" (183cm) Seats 10-12	27"(69cm), 29" (74cm), 32" (81cm): ADA	156 lbs / 71kg	24"Lx17-1/2"W (61cm x 44cm)	EP075-180N
<b>Square Pacer Tables</b>				
48" (122cm) Seats 6	27"(69cm), 29" (74cm)	95 lbs / 43kg	48"Lx17-1/2"W (122cm x 44cm)	EP375-120N
<b>Octagon Pacer Tables</b>				
60" (152cm) Seats 8	27"(69cm), 29" (74cm), 32" (81cm): ADA	115 lbs / 52kg	60"Lx17-1/2"W (152cm x 44cm)	EP575-150N
<b>Oval Pacer Tables</b>				
60"x66" (152cm x 168 cm) Seats 8-10	27"(69cm), 29" (74cm)	132 lbs / 60kg	60"Lx17-1/2"W (152cm x 44cm)	EP175-165N
48"x60" (122cm x 152cm) Seats 6 - 8	27"(69cm), 29" (74cm)	128 lbs / 58kg	60"Lx17-1/2"W (152cm x 44cm)	EP175-150N
60"x72" (152cm x 183cm) Seats 8-10	27"(69cm), 29" (74cm), 32" (81cm): ADA	132 lbs / 60kg	60"Lx17-1/2"W (152cm x 44cm)	EP175-180N
<b>Rectangle Pacer Tables</b>				
5'Lx30" (152cm x 76cm) Seats 4	27"(69cm), 29" (74cm)	85 lbs / 39kg	30"Lx17-1/2"W (76cm x 44cm)	EP275-150N
6'Lx24"W (183cm x 61cm) Seats 3	27"(69cm), 29" (74cm)	78 lbs / 35kg	24"Lx17-1/2"W (61cm x 44cm)	EP875-180N
6'Lx30"W (183cm x 76cm) Seats 6	27"(69cm), 29" (74cm)	93 lbs / 42kg	30"Lx17-1/2"W (76cm x 44cm)	EP275-180N
8'Lx24"W (244cm x 61cm) Seats 4	27"(69cm), 29" (74cm)	90 lbs / 41kg	24"Lx17-1/2"W (61cm x 44cm)	EP875-240N
8'Lx30"W (244cm x 76cm) Seats 8	27"(69cm), 29" (74cm), 32" (81cm): ADA	128 lbs / 58kg	30"Lx17-1/2"W (76cm x 44cm)	EP275-240N
<b>Serpentine Pacer Tables</b>				
8'Lx30"W (244cm x 76cm) Seats 8	29" (74cm)	100 lbs / 45kg	30"Lx17-1/2"W (76cm x 44cm)	3974-180N
<p><b>* Model Numbering System</b>            EP#75 model numbers based on 29" height tables. Change <b>75</b> to a <b>70</b> for 27" height models. Change <b>75</b> to a <b>80</b> for 32" height models. Model numbers based on chrome finish. Other powder coated frames available.</p>				



# SICO® Pacer Table Dimensions

## Serpentine Top Dimensions

Top Height: 29"  
Folded Height: 51 1/2" or 53 1/2"

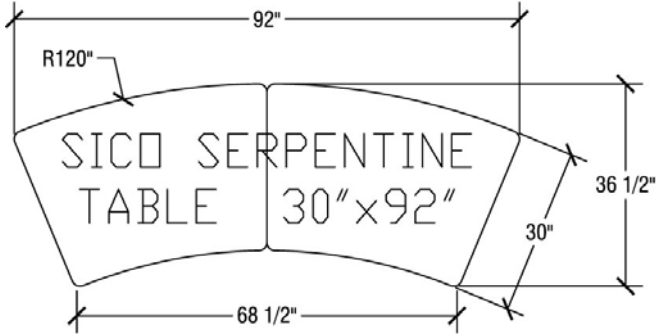
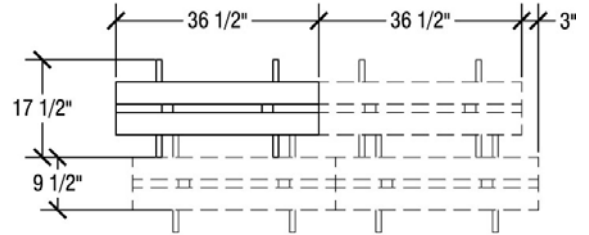


Table Dimensions



Storage Configuration

## Oval (60" x 72") Top Dimensions

Top Height: 27", 29" or 32"  
Folded Height: 44" or 46"

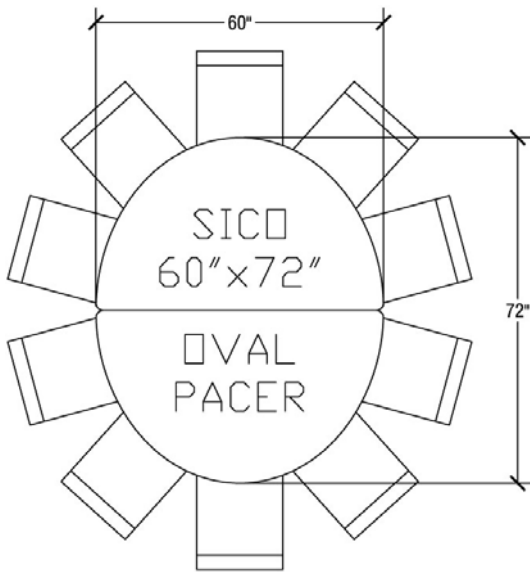
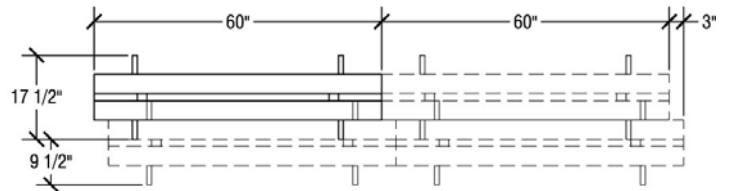


Table Dimensions



Storage Configuration

## Oval (60"x66") Top Dimensions

Top Height: 27" or 29"  
Folded Height: 44" or 46"

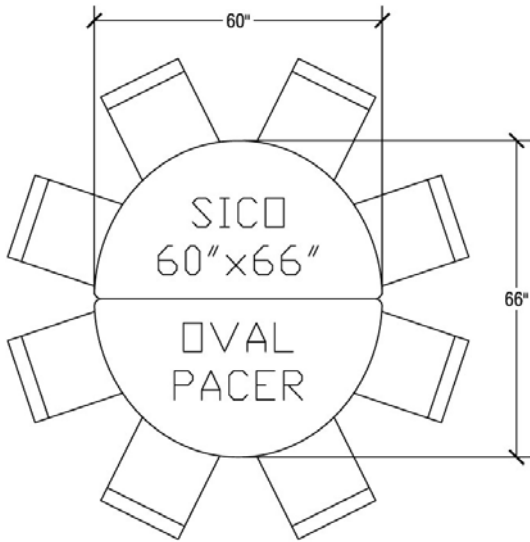
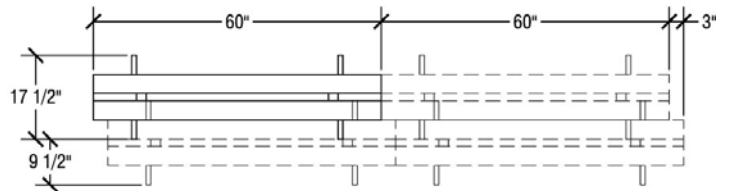


Table Dimensions



Storage Configuration

## Oval (48"x60") Top Dimensions

Top Height: 27" or 29"  
Folded Height: 41" or 43"

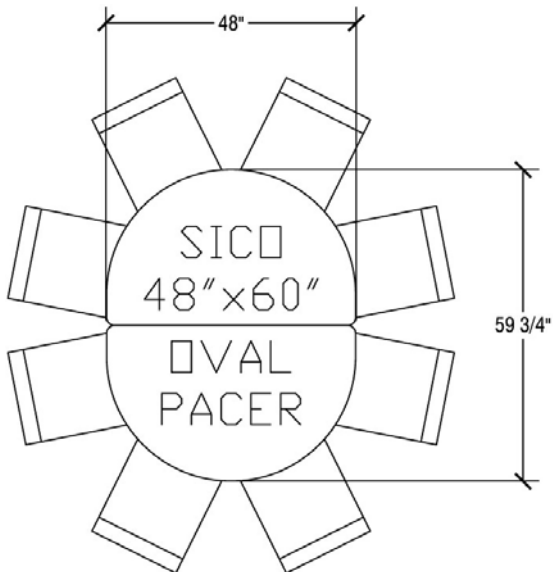
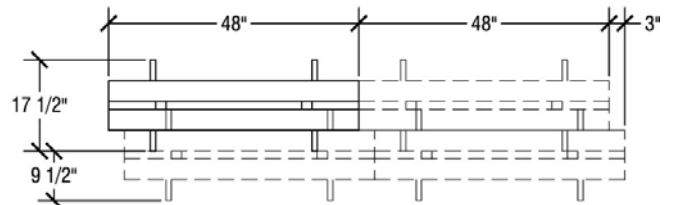


Table Dimensions



Storage Configuration

## Round 72" Top Dimensions

Top Height: 27", 29" or 32"  
Folded Height: 44" or 46"

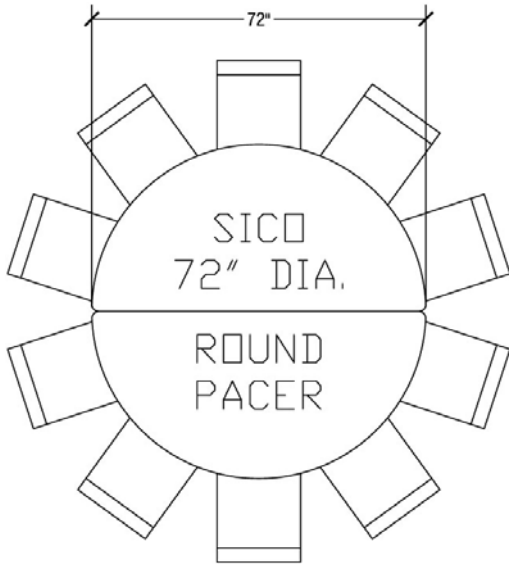
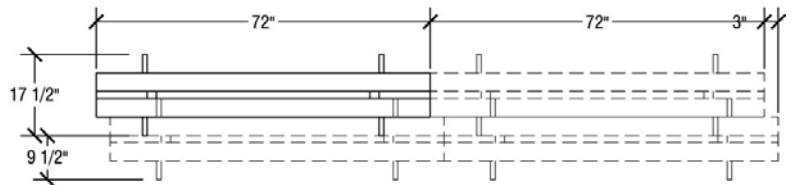


Table Dimensions



Storage Configuration

## Round 66" Top Dimensions

Top Height: 29"  
Folded Height: 44" or 46"

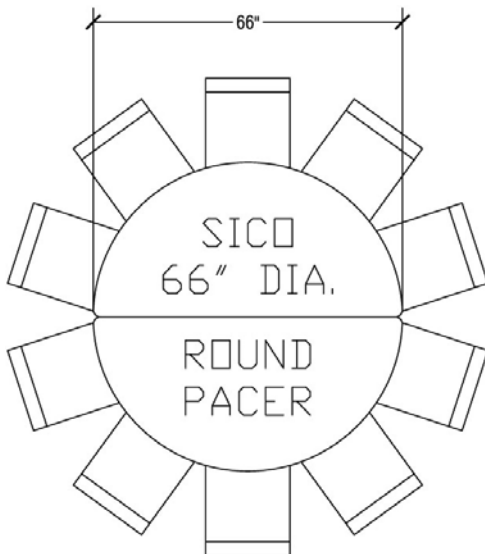
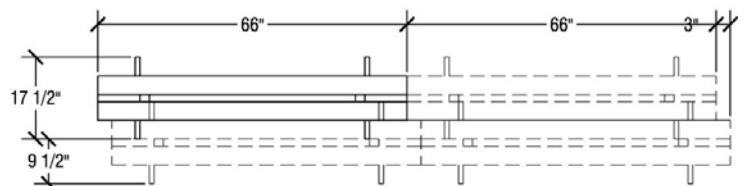


Table Dimensions



Storage Configuration



## Round 60" Top Dimensions

Top Height: 27", 29" or 32"

Folded Height: 41" or 43"

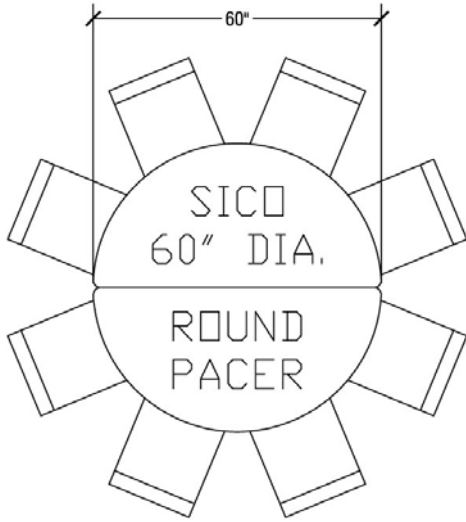
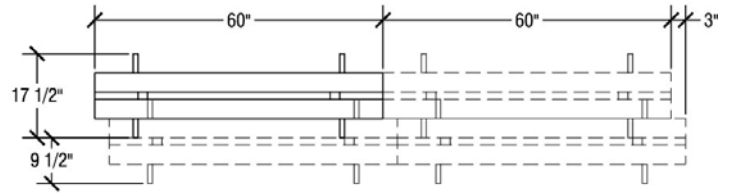


Table Dimensions



Storage Configuration

## Round 48" Top Dimensions

Top Height: 27" or 29"

Folded Height: 36 1/2" or 38 1/2"

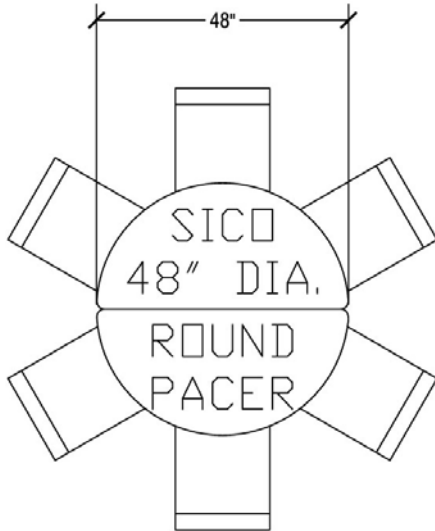
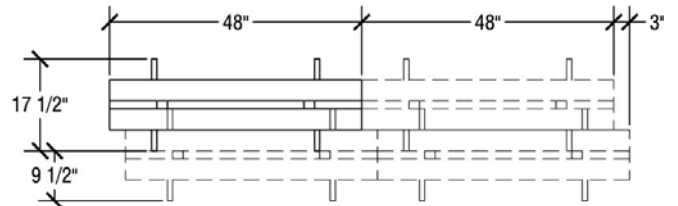


Table Dimensions



Storage Configuration

## Square Top Dimensions

**Top Height:** 27" or 29"  
**Folded Height:** 36 1/2" or 38 1/2"

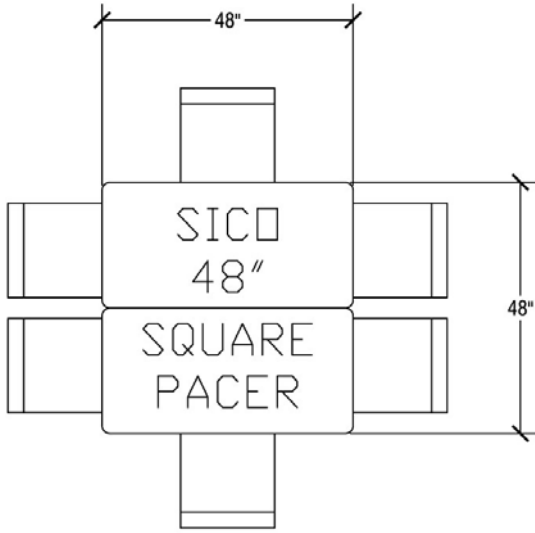
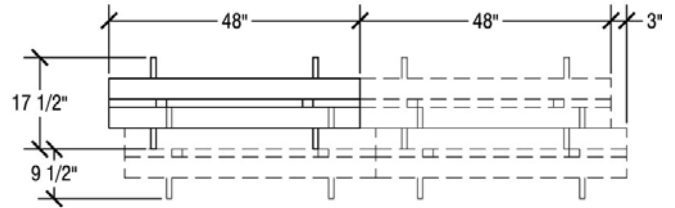


Table Dimensions



Storage Configuration

## Rectangle (30"x96") Top Dimensions

**Top Height:** 27", 29" or 32"  
**Folded Height:** 51 1/2" or 53 1/2"

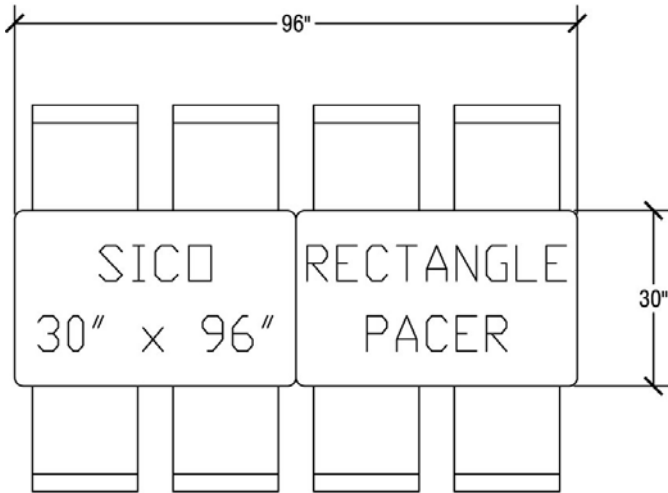
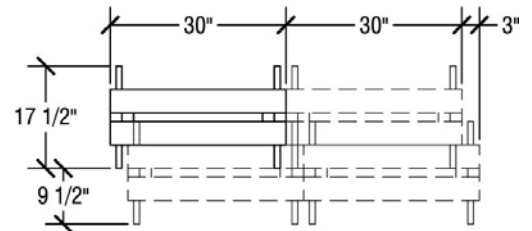


Table Dimensions



Storage Configuration

## Rectangle (30"x72") Top Dimensions

Top Height: 27" or 29"  
Folded Height: 44" or 46"

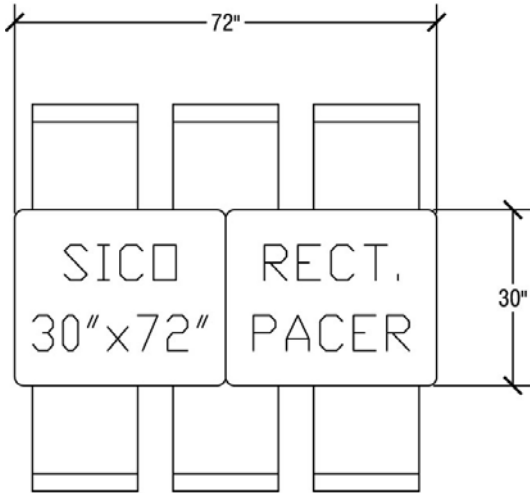
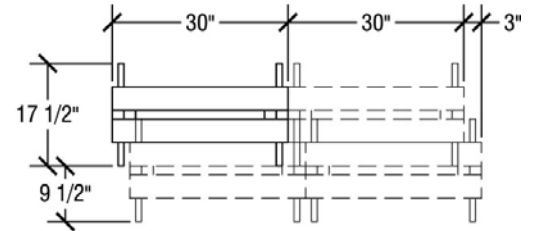


Table Dimensions



Storage Configuration

## Rectangle (8'x24") Top Dimensions

Top Height: 27" or 29"  
Folded Height: 51 1/2" or 53 1/2"

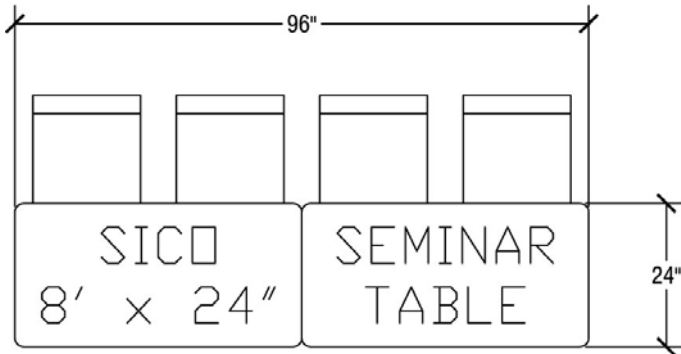
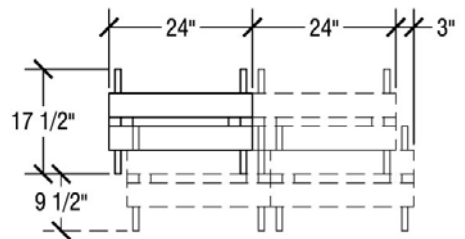


Table Dimensions



Storage Configuration



## Rectangle (6'x24") Top Dimensions

Top Height: 27" or 29"  
Folded Height: 44" or 46"

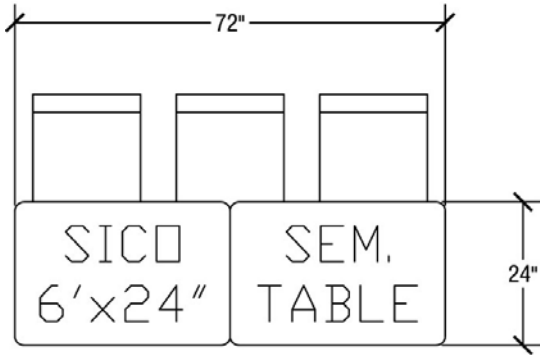
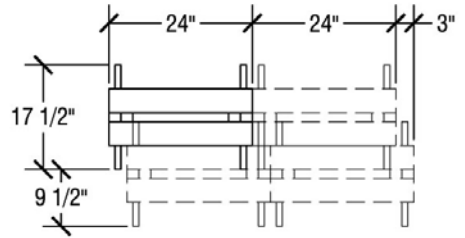


Table Dimensions



Storage Configuration

